

BVH83-Clamped-Package Ball Valve-1000Psi



GENERAL CHARACTERISTICS

- Blow-out-proof stem design
- Padlocking device
- High Mounting pad: ISO 5211
- Design: ASME B16.34
- Test: API 598
- End Connections: Clamped-Package End

WORKING CONDITIONS

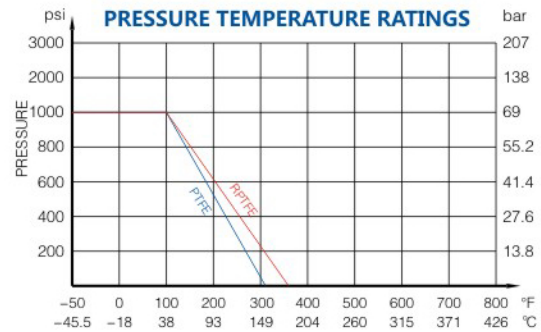
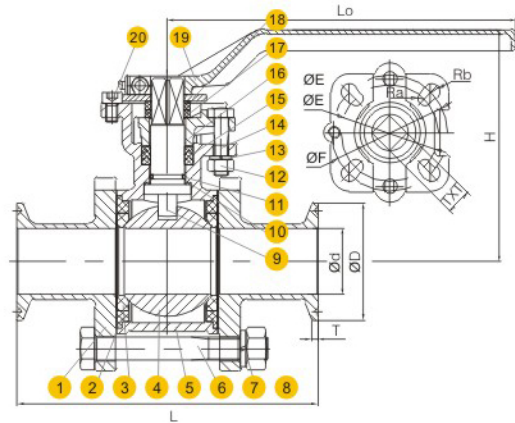
- Working Pressure: 1000Psi
- Temperature Range:
 - 20° to 302°F-PTFE
 - 20° to 356°F-RPTFE
- Applicable medium: Water, Oil, Gas



MATERIALS LIST

20	BOLT	1	A193B8	A193B8
19	HANDLE	1	Steel	Steel
18	STOPPER	1	SS304	SS304
17	HANDLEWASHER	1	PVC	PVC
16	GLAND	1	A351CF8	A351CF8
15	PACKING	-	PTFE	RPTFE
14	BOLT	2	A193B8	A193B8
13	SPRINGWASHER	2	304	304
12	NUT	2	A1948	A1948
11	ORING	1	VITON	VITON
10	STEMWASHER	1	PTFE	RPTFE
9	STEM	1	A276316	A276316
8	NUT	-	A1948	A1948
7	SPRINGWASHER	-	304	304
6	BOLT	-	A193B8	A193B8
5	BODY	1	A351CF8M	A351CF8M
4	BALL	1	SS316	SS316
3	SEAT	2	PTFE	RPTFE
2	GASKET	2	PTFE	RPTFE
1	BONNET	2	A351CF8M	A351CF8M
No.	DESCRIPTION	QTY	MATERIAL	

Note: Please contact us for other material requirements.



DIMENSIONS- 1000Psi

SIZE	L	d	D	T	Lo	H	E	F	a	b	TXT	Weight(lb)	Torque(lbf · in)
3/4"	402	062	1	112	512	278	142	165	012	012	035x035	-	62
1"	453	087	199	112	512	307	142	165	012	012	035x035	-	88
1 1/4"	512	112	199	112	591	394	165	197	012	014	043x043	-	133
1 1/2"	547	137	199	112	787	455	197	276	014	018	055x055	-	195
2"	614	187	252	112	787	492	197	276	014	018	055x055	-	265
2 1/2"	776	237	305	112	945	528	276	276	018	018	055x055	-	460
3"	898	287	358	112	1063	63	276	402	018	022	067x067	-	761
4"	957	383	469	112	126	74	276	402	018	022	087x087	-	1097